

# Pin End Spring Assist Fabrication

Pin End Spring Assist (PESA) works with manual or motorized systems on shades weighing 16 lbs (7,2 kg) or less. These instructions are for manual clutch systems. The PESA does not require any pre-rotations or any type of set-up; simply install and operate as you would with a standard pin end. There is a difference between which PESA to select depending on if you are fabricating a STANDARD ROLL SHADE (fabric rolls off on window side of tube) or a REVERSE ROLL SHADE (fabric rolls off of window side of tube)

## 1-1/4 Tube

**Maximum shade weight shade:** 8 lbs (3,6 kg)

**Maximum Drop:** Max drop 96 inches (243 cm) (or 16 tube revolutions)

## 1-1/2 Tube

**Maximum shade weight shade:** 16 lbs (7,2 kg)

**Maximum Drop:** Max drop 116 inches (295 cm) (or 16 tube revolutions)

*Note: Different fabrics roll and unroll at different rates depending on the fabric thickness, therefore maximum drop length is a provided as a guideline, 16 tube revolutions maximum is a precise figure.*

## 1.) FABRICATE SHADE

PESA does not change the light gap of a shade and therefore deductions remain the same as with regular 1-1/4 inch (32mm) and 1-1/2 inch (38mm) pin ends.

## 2.) SELECTING THE CORRECT Pin End SPRING ASSIST

- A) **Select PESA for your tube size**  
1-1/4 inch (32 mm) tube  
1-1/2 inch (38 mm) tube

- B.) **Select correct PESA depending**  
(Standard Roll vs Reverse Roll)

### STANDARD ROLL SHADES (most common)

**RIGHT-HAND** operation shade, you must select a **LEFT PESA**.

**LEFT-HAND** operation shade, you must select a **RIGHT PESA**.

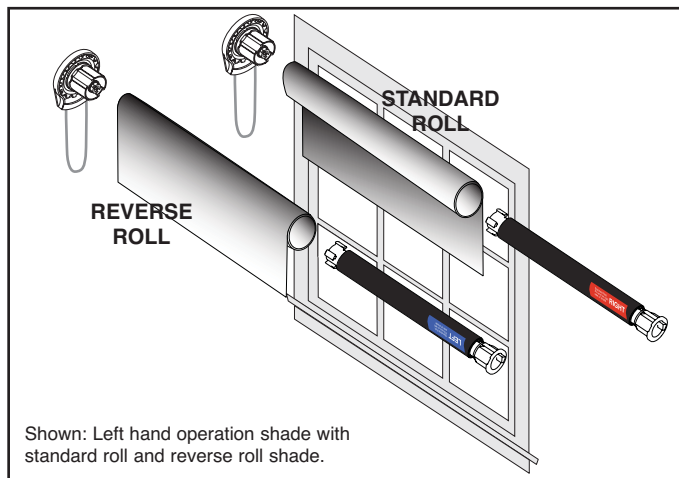
(see illustration above right)

### REVERSE ROLL SHADES

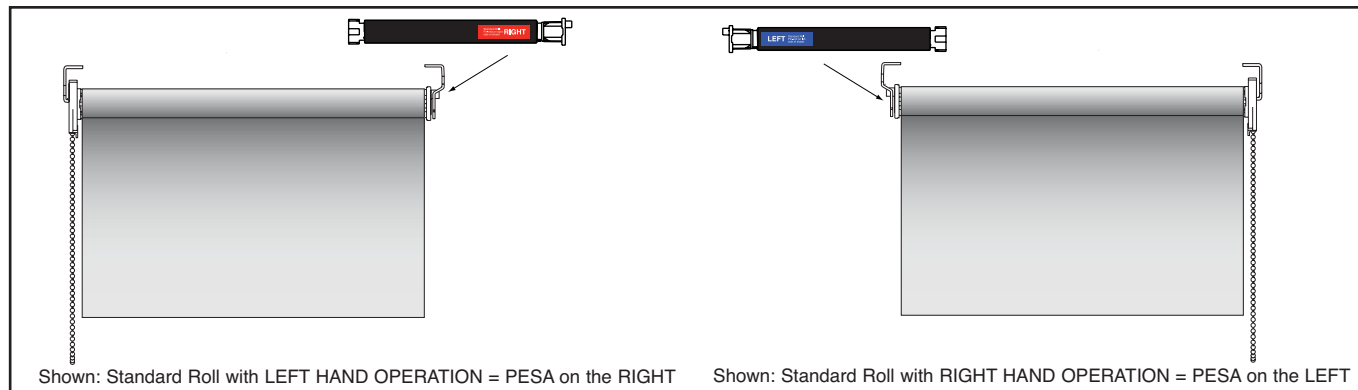
**RIGHT-HAND** operation shade, you must select a **RIGHT PESA**.

**LEFT-HAND** operation shade, you must select a **LEFT PESA**.

(see illustration above right)



Shown: Left hand operation shade with standard roll and reverse roll shade.



Shown: Standard Roll with LEFT HAND OPERATION = PESA on the RIGHT    Shown: Standard Roll with RIGHT HAND OPERATION = PESA on the LEFT

## 3.) INSERT INTO TUBE

PESA's should only be inserted when shade is rolled up. The PESA is designed so that when the shade is lowered, the downward operation of the shade put tension in the spring. The starting point for tensioning is when the shade is fully raised.

*NOTE: If the PESA is inserted in any other configuration failure of the PESA may occur.*

## 4.) INSTALL AS USUAL

The shade is installed as usual. Shade should be fully raised when installed.

*Note: The use of stop balls is recommended.*