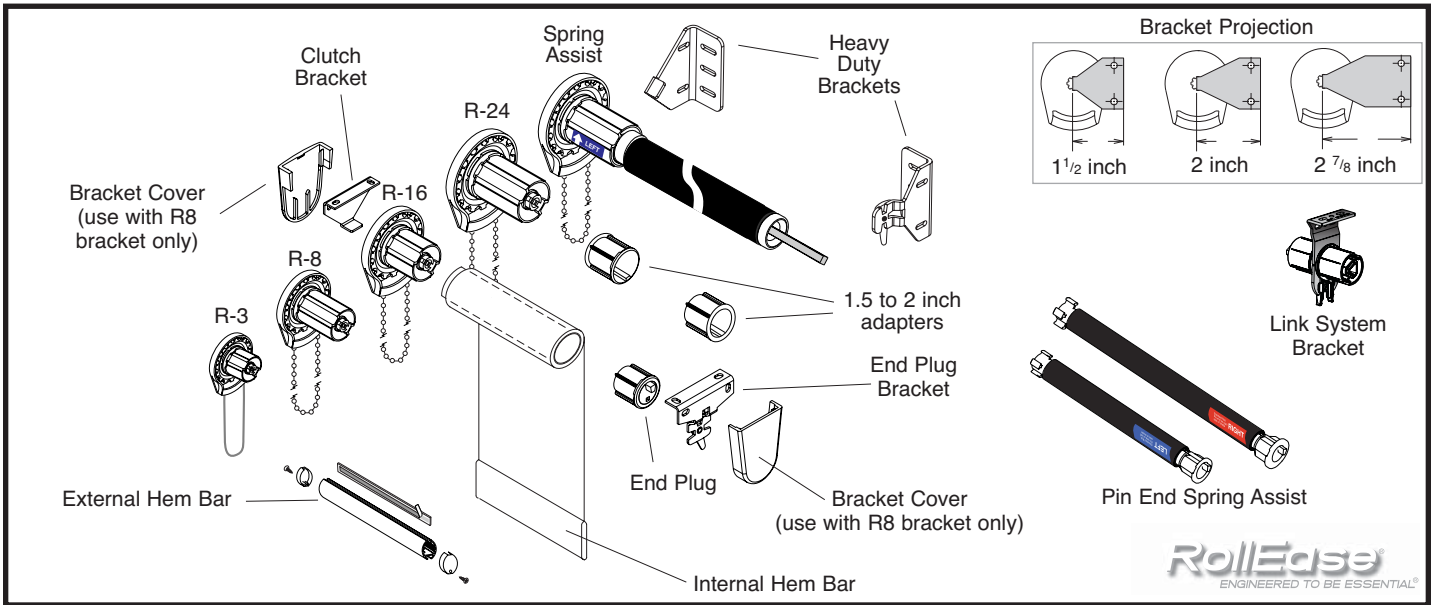


R-Series Component Overview



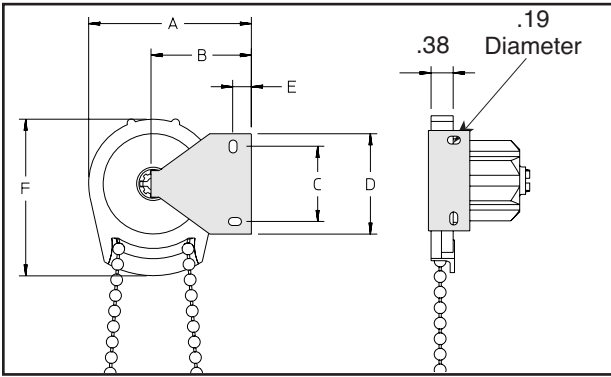
MAX WEIGHT	TUBE	MAX SHADE WIDTH*	CLUTCH PART NO.	TUBE PART NO.	END PLUG PART NO.	BRACKETS			
						1 1/2" (38mm) PROJECTION PART NO.	2" (50mm) PROJECTION PART NO.	2.25" (57mm) PROJECTION PART NO.	2.78" (57mm) PROJECTION PART NO.
3 lbs (1,4 kg) R3	1" (25mm) 1" (adjustable)(25mm) 1 1/8" (28mm)	60" (152cm) 60" (152cm) 84" (213cm)	R3C02 R3CABC R3C01	RTEA1T12 RTEA1T12 RTEA2T12	REP02 REPABC REP01	RB360 RB360 RB360	RB380 RB380 RB380	n/a n/a n/a	RB390 RB390 RB390
8 lbs (3,6kg) R8	1" (25mm) 1 1/8" (28mm) 1 1/4" (32mm) 1 1/2" * (38mm) <i>* lightweight materials only, 5 lb. (2,25kg) maximum</i>	60" (152cm) 84" (213cm) 114" (289cm) 132" (335cm)	R8C02 R8C01 R8C03 R8C14	RTEA1T12 RTEA2T12 RTEA3T12 RTEA4T12	REP02 REP01 REP03 REP53	RB360 RB360 RB360 RB360	RB380 RB380 RB380 RB380	n/a n/a n/a n/a	RB390 RB390 RB390 RB390
8 lbs (3,6kg) 16 lbs (7,3kg) PESA	1 1/4" (32mm) 1 1/2" (38mm)	114" (289cm) 132" (335cm) <i>Max Drop (1-1/4: 88" 2,23m) (1-1/2: 96" 2,44m)</i>	R3 or R8 R16	RTEA3T12 RTEA4T12	SAPE03 SAPE53	RB360 RB560	RB380 RB580	n/a n/a	RB390 RB590
16 lbs (7,3kg) 12 lbs (5,4 kg) R16	1 1/2" (38mm) 2" *(50mm) <i>*Must use 2" (50mm) Adapters (RA2), 2 per shade</i>	132" (335cm) 168" (427cm)	R16C53 R16C53 +(1) RA2 Adapter	RTEA4T12 RTEA5U14 +(1) RA2 Adapter	REP53 REP53	RB560 RB560	RB580 RB580	RBGAL RBGAL	RB590 RB590
24 lbs (11,0 kg) 18 lbs (8,2 kg) R24	1 1/2" (38mm) 2" *(50mm) <i>*Must use 2" (50mm) Adapters (RA2), 2 per shade</i>	132" (335cm) 168" (427cm)	R24C53 R24C53 +(1) RA2 Adapter	RTEA4T12 RTEA5U14	REP53 REP53 +(1) RA2 Adapter	NA NA	RB580 RB580	RBGAL RBGAL	RB590 RB590
30 lbs (13,5 kg) SA	1 1/2" (38mm) 2" *(50mm) <i>*Must use 2" (50mm) Adapters (RA2), 2 per shade</i>	Use Spring Assist Software	SA24(R/L)(36/45) SA24(R/L)(36/45) +(1) RA2 Adapter	RTEA4T12 RTEA5U14	REP53 REP53 +(1) RA2 Adapter	NA NA	RB580 RB580	RBGAL RBGAL	n/a n/a

* Note: Maximum shade widths are given for light fabric and/or short shade drops. For more detail, consult the chart that specifies clutch and tube sizes.
 Note: R-3 & R-8: RB-361 fascia brackets (with blade centered) will accommodate a 2 inch (50mm) outside dimension roll of fabric, RB-362 fascia bracket with blade offset from center will accommodate a 2-3/4 inch outside dimension roll of fabric.

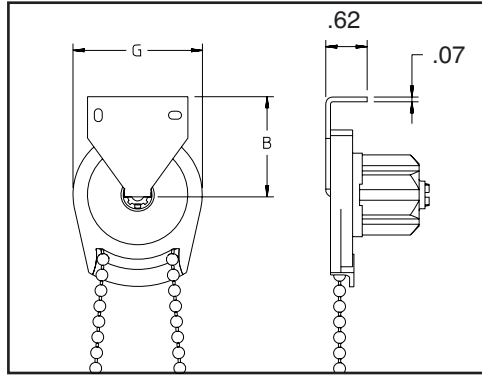
CLUTCHES In figuring weight, include only the shade cloth, hem bar and trim. Do not include the weight of the tube, clutch or other RollEase components.

TECHNICAL

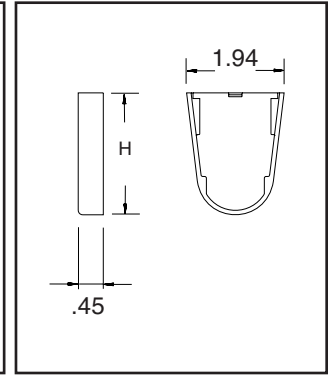
R-Series Hardware Measurements



WALL or INSIDE MOUNT

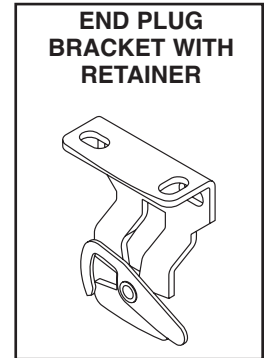
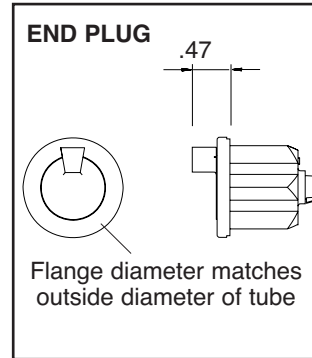


CEILING MOUNT

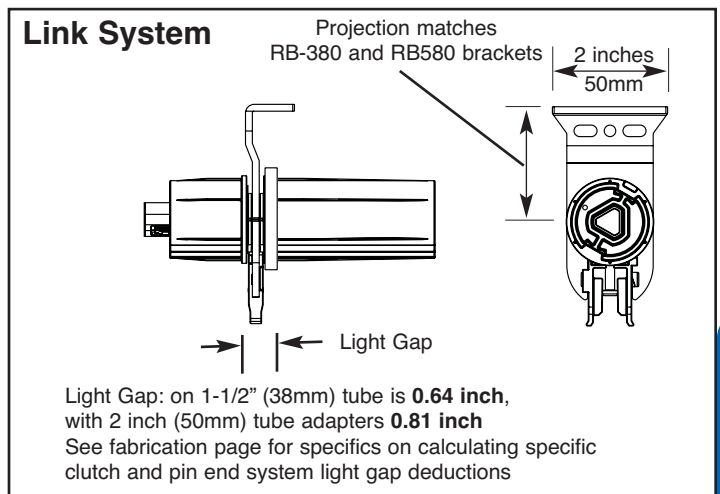


BRACKET COVER

CLUTCH MODEL	BRACKET MODEL	A	B	C	D	E	F	G	H
R3	360	2.24	1.5	1.06	1.5	0.28	1.82	1.48	2.19
	380	2.74	2.0	1.06	1.5	0.28	1.82	1.48	2.70
R8	360	2.48	1.5	1.06	1.5	0.28	2.35	1.95	2.19
	380	2.98	2.0	1.06	1.5	0.28	2.35	1.95	2.70
R16	560	2.95	1.62	2.0	2.5	0.31	3.21	2.65	N/A
	580	3.45	2.12	2.0	2.5	0.30	3.21	2.65	N/A
	RBGAL	3.56	2.25	1.75	3.0	0.60	3.21	2.65	N/A
R24 & SA24	580	3.91	2.12	2.0	2.5	0.31	4.29	3.58	N/A
	RBGAL	3.56	2.25	1.75	3.0	0.60	3.21	2.65	N/A



All dimensions in inches, see decimal/fraction/metric conversion chart in this section



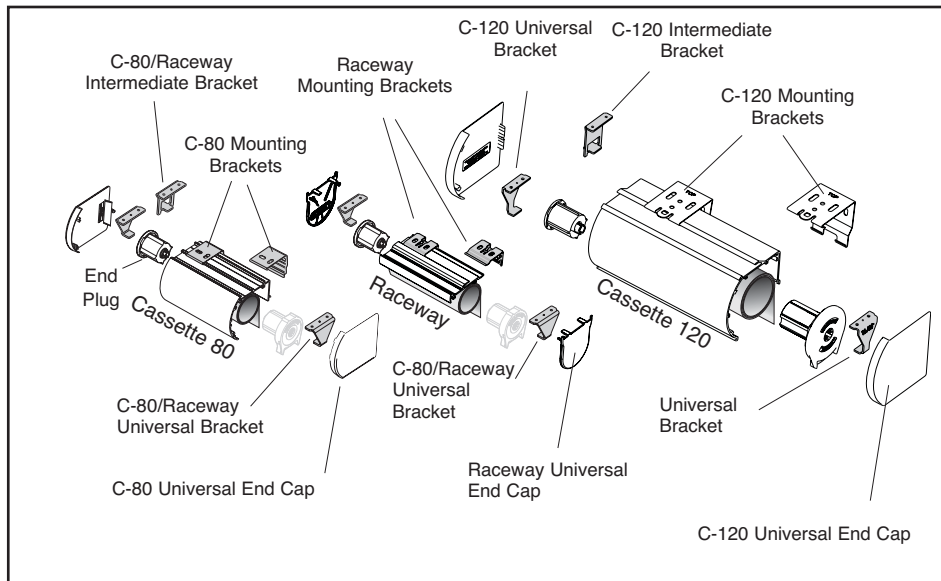
TECHNICAL

Fraction to Decimal to Metric Conversion Chart

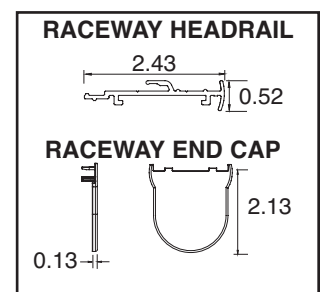
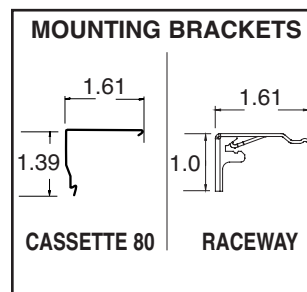
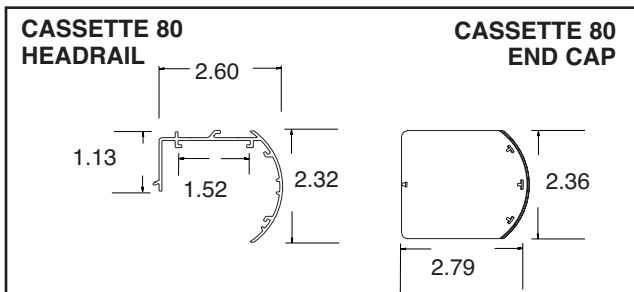
←			←			←		
fraction	decimal	mm	fraction	decimal	mm	fraction	decimal	mm
1/64	0.0156	0.3969	1 1/64	1.0156	25.7969	2 1/64	2.0156	51.1969
1/32	0.0313	0.7938	1 1/32	1.0313	26.1938	2 1/32	2.0313	51.5938
3/64	0.0469	1.1906	1 3/64	1.0469	26.5906	2 3/64	2.0469	51.9906
1/16	0.0625	1.5875	1 1/16	1.0625	26.9875	2 1/16	2.0625	52.3875
5/64	0.0781	1.9844	1 5/64	1.0781	27.3844	2 5/64	2.0781	52.7844
3/32	0.0938	2.3813	1 3/32	1.0938	27.7813	2 3/32	2.0938	53.1813
7/64	0.1094	2.7781	1 7/64	1.1094	28.1781	2 7/64	2.1094	53.5781
1/8	0.1250	3.1750	1 1/8	1.1250	28.5750	2 1/8	2.1250	53.9750
9/64	0.1406	3.5719	1 9/64	1.1406	28.9719	2 9/64	2.1406	54.3719
5/32	0.1563	3.9688	1 5/32	1.1563	29.3688	2 5/32	2.1563	54.7688
11/64	0.1719	4.3656	1 11/64	1.1719	29.7656	2 11/64	2.1719	55.1656
3/16	0.1875	4.7625	1 3/16	1.1875	30.1625	2 3/16	2.1875	55.5625
13/64	0.2031	5.1594	1 13/64	1.2031	30.5594	2 13/64	2.2031	55.9594
7/32	0.2188	5.5563	1 7/32	1.2188	30.9563	2 7/32	2.2188	56.3563
15/64	0.2344	5.9531	1 15/64	1.2344	31.3531	2 15/64	2.2344	56.7531
1/4	0.2500	6.3500	1 1/4	1.2500	31.7500	2 1/4	2.2500	57.1500
17/64	0.2656	6.7469	1 17/64	1.2656	32.1469	2 17/64	2.2656	57.5469
9/32	0.2813	7.1438	1 9/32	1.2813	32.5438	2 9/32	2.2813	57.9438
19/64	0.2969	7.5406	1 19/64	1.2969	32.9406	2 19/64	2.2969	58.3406
5/16	0.3125	7.9375	1 5/16	1.3125	33.3375	2 5/16	2.3125	58.7375
21/64	0.3281	8.3344	1 21/64	1.3281	33.7344	2 21/64	2.3281	59.1344
11/32	0.3438	8.7313	1 11/32	1.3438	34.1313	2 11/32	2.3438	59.5313
23/64	0.3594	9.1281	1 23/64	1.3594	34.5281	2 23/64	2.3594	59.9281
3/8	0.3750	9.5250	1 3/8	1.3750	34.9250	2 3/8	2.3750	60.3250
25/64	0.3906	9.9219	1 25/64	1.3906	35.3219	2 25/64	2.3906	60.7219
13/32	0.4063	10.3188	1 13/32	1.4063	35.7188	2 13/32	2.4063	61.1188
27/64	0.4219	10.7156	1 27/64	1.4219	36.1156	2 27/64	2.4219	61.5156
7/16	0.4375	11.1125	1 7/16	1.4375	36.5125	2 7/16	2.4375	61.9125
29/64	0.4531	11.5094	1 29/64	1.4531	36.9094	2 29/64	2.4531	62.3094
15/32	0.4688	11.9063	1 15/32	1.4688	37.3063	2 15/32	2.4688	62.7063
31/64	0.4844	12.3031	1 31/64	1.4844	37.7031	2 31/64	2.4844	63.1031
1/2	0.5000	12.7000	1 1/2	1.5000	38.1000	2 1/2	2.5000	63.5000
33/64	0.5156	13.0969	1 33/64	1.5156	38.4969	2 33/64	2.5156	63.8969
17/32	0.5313	13.4938	1 17/32	1.5313	38.8938	2 17/32	2.5313	64.2938
35/64	0.5469	13.8906	1 35/64	1.5469	39.2906	2 35/64	2.5469	64.6906
9/16	0.5625	14.2875	1 9/16	1.5625	39.6875	2 9/16	2.5625	65.0875
37/64	0.5781	14.6844	1 37/64	1.5781	40.0844	2 37/64	2.5781	65.4844
19/32	0.5938	15.0813	1 19/32	1.5938	40.4813	2 19/32	2.5938	65.8813
39/64	0.6094	15.4781	1 39/64	1.6094	40.8781	2 39/64	2.6094	66.2781
5/8	0.6250	15.8750	1 5/8	1.6250	41.2750	2 5/8	2.6250	66.6750
41/64	0.6406	16.2719	1 41/64	1.6406	41.6719	2 41/64	2.6406	67.0719
21/32	0.6563	16.6688	1 21/32	1.6563	42.0688	2 21/32	2.6563	67.4688
43/64	0.6719	17.0656	1 43/64	1.6719	42.4656	2 43/64	2.6719	67.8656
11/16	0.6875	17.4625	1 11/16	1.6875	42.8625	2 11/16	2.6875	68.2625
45/64	0.7031	17.8594	1 45/64	1.7031	43.2594	2 45/64	2.7031	68.6594
23/32	0.7188	18.2563	1 23/32	1.7188	43.6563	2 23/32	2.7188	69.0563
47/64	0.7344	18.6531	1 47/64	1.7344	44.0531	2 47/64	2.7344	69.4531
3/4	0.7500	19.0500	1 3/4	1.7500	44.4500	2 3/4	2.7500	69.8500
49/64	0.7656	19.4469	1 49/64	1.7656	44.8469	2 49/64	2.7656	70.2469
25/32	0.7813	19.8438	1 25/32	1.7813	45.2438	2 25/32	2.7813	70.6438
51/64	0.7969	20.2406	1 51/64	1.7969	45.6406	2 51/64	2.7969	71.0406
13/16	0.8125	20.6375	1 13/16	1.8125	46.0375	2 13/16	2.8125	71.4375
53/64	0.8281	21.0344	1 53/64	1.8281	46.4344	2 53/64	2.8281	71.8344
27/32	0.8438	21.4313	1 27/32	1.8438	46.8313	2 27/32	2.8438	72.2313
55/64	0.8594	21.8281	1 55/64	1.8594	47.2281	2 55/64	2.8594	72.6281
7/8	0.8750	22.2250	1 7/8	1.8750	47.6250	2 7/8	2.8750	73.0250
57/64	0.8906	22.6219	1 57/64	1.8906	48.0219	2 57/64	2.8906	73.4219
29/32	0.9063	23.0188	1 29/32	1.9063	48.4188	2 29/32	2.9063	73.8188
59/64	0.9219	23.4156	1 59/64	1.9219	48.8156	2 59/64	2.9219	74.2156
15/16	0.9375	23.8125	1 15/16	1.9375	49.2125	2 15/16	2.9375	74.6125
61/64	0.9531	24.2094	1 61/64	1.9531	49.6094	2 61/64	2.9531	75.0094
31/32	0.9688	24.6063	1 31/32	1.9688	50.0063	2 31/32	2.9688	75.4063
63/64	0.9844	25.0031	1 63/64	1.9844	50.4031	2 63/64	2.9844	75.8031
1	1.0000	25.4000	2	2.0000	50.8000	3	3.0000	76.2000

TECHNICAL

R-Series Hardware Measurements



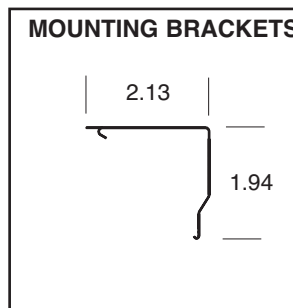
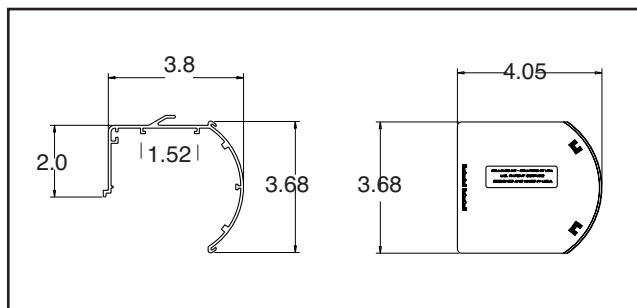
CASSETTE 80, RACEWAY COMPONENT DIMENSIONS



All dimensions in inches, see decimal/fraction/metric conversion chart in this section

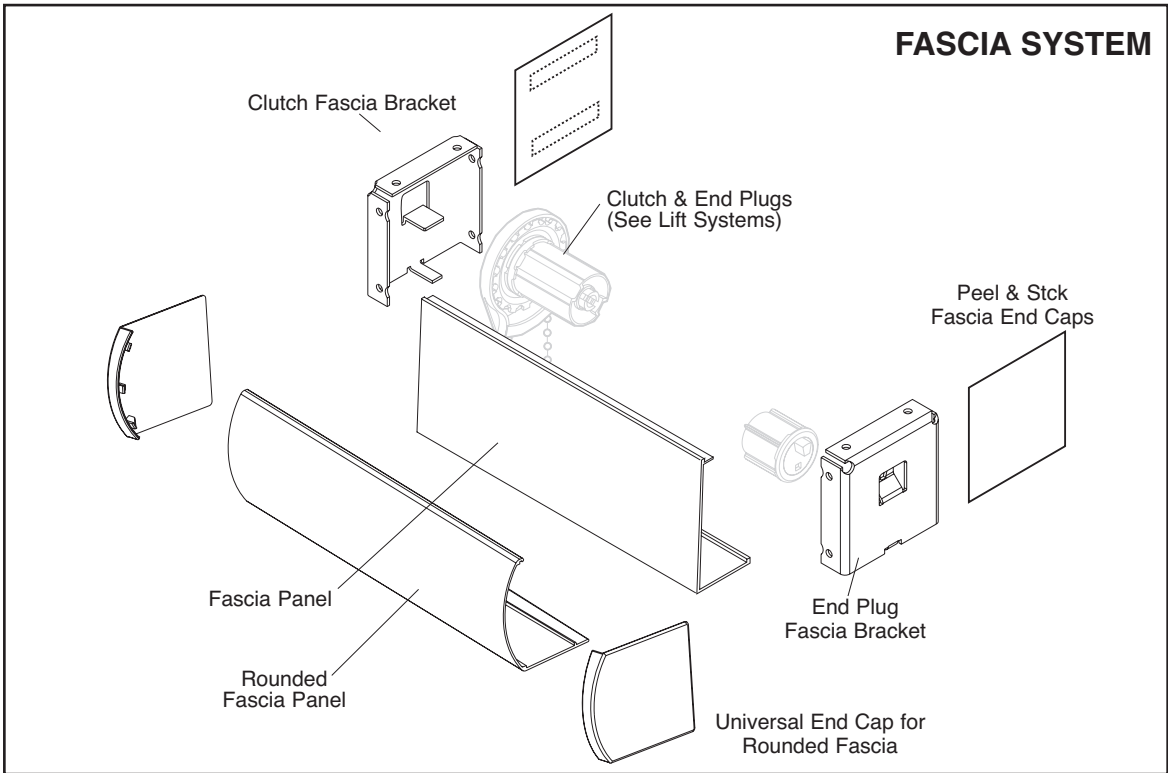
INTERNAL UNIVERSAL BRACKETS PROJECTIONS	
	R3/R8
	CRUBKT: 1.115 inches
	CRIMBKT: 1.115 inches

CASSETTE 120 COMPONENT DIMENSIONS

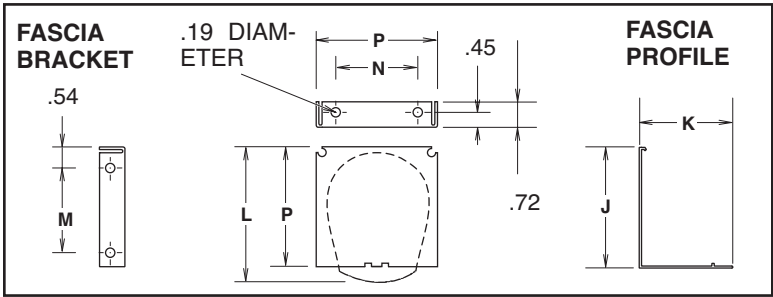


INTERNAL UNIVERSAL BRACKETS PROJECTION	
	R16/G200
	CRUBKT53L: 1.672 inches
	CRIMBKT53L: 1.672 inches
	R3/R8
	CRUBKT53: 1.274 inches
	CRUBKT53L8: 1.672 inches

R-Series Hardware Measurements



All dimensions in inches, see decimal/fraction/metric conversion chart in this section



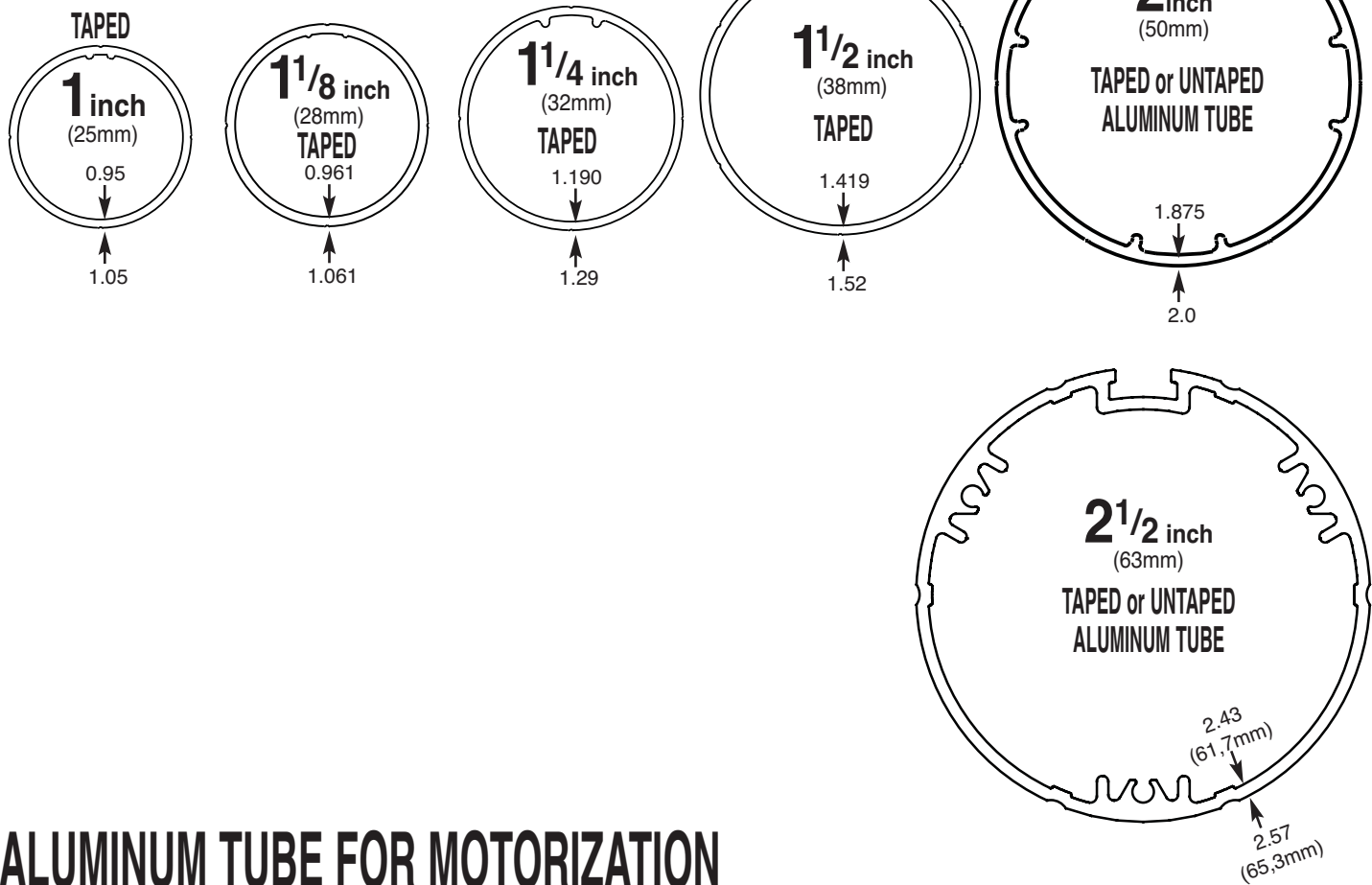
CLUTCH MODEL	BRACKET MODEL	FASCIA HEIGHT	J	K	L	M	N	P
R8	361/362	3 IN	3.06	2.28	3.31	2.08	1.93	3.00
R16	561	3 IN	3.06	2.28	3.35	2.08	1.93	3.00
R24	581	4 IN	4.06	2.78	4.50	3.08	2.93	4.00

361 - 362 Fascia Brackets:

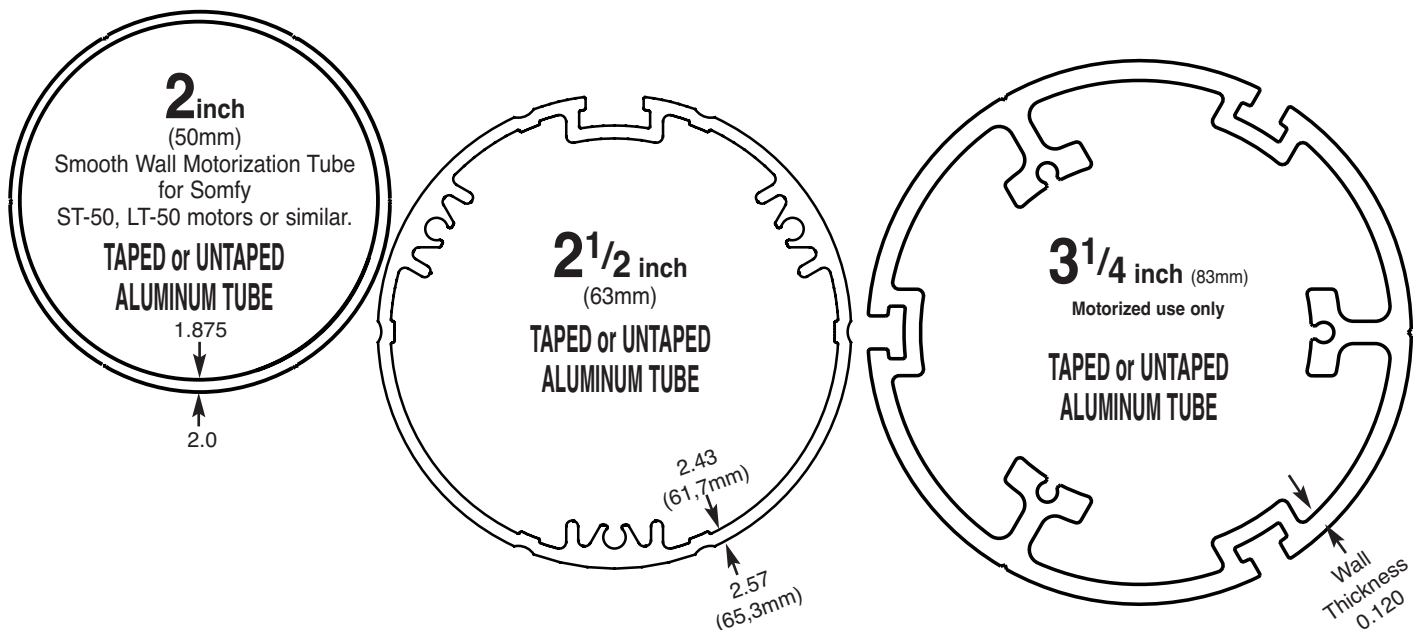
TECHNICAL

R-Series Hardware Measurements

ALUMINUM TUBE



ALUMINUM TUBE FOR MOTORIZATION



TECHNICAL

R-Series Hardware Measurements

BEAD CHAIN

It is very important that the #10 metal bead chain used with RollEase clutches meets the following specifications.

QUALIFIED #10 metal bead chain, 50-51 beads per foot, with a bead diameter of 3/16" (.1875")
("Qualified" means that the chain must have uniform bead spacing) Plastic or metal chain break strength to be 40 lb minimum, stainless steel 85 lbs minimum

Some #10 metal chain that is sold within the window covering industry is unqualified, and the spacing may vary between 47 and 52 beads per foot. This chain will not work properly in RollEase clutches. The problems encountered may include noisy operation, excessive wear, and higher than normal pull force. Please be sure you have the correct bead chain!

RollEase, Inc. offers qualified #10 chain in metal and plastic as long length spools or as pre-made continuous loops.

D-30 CONTROL CORD

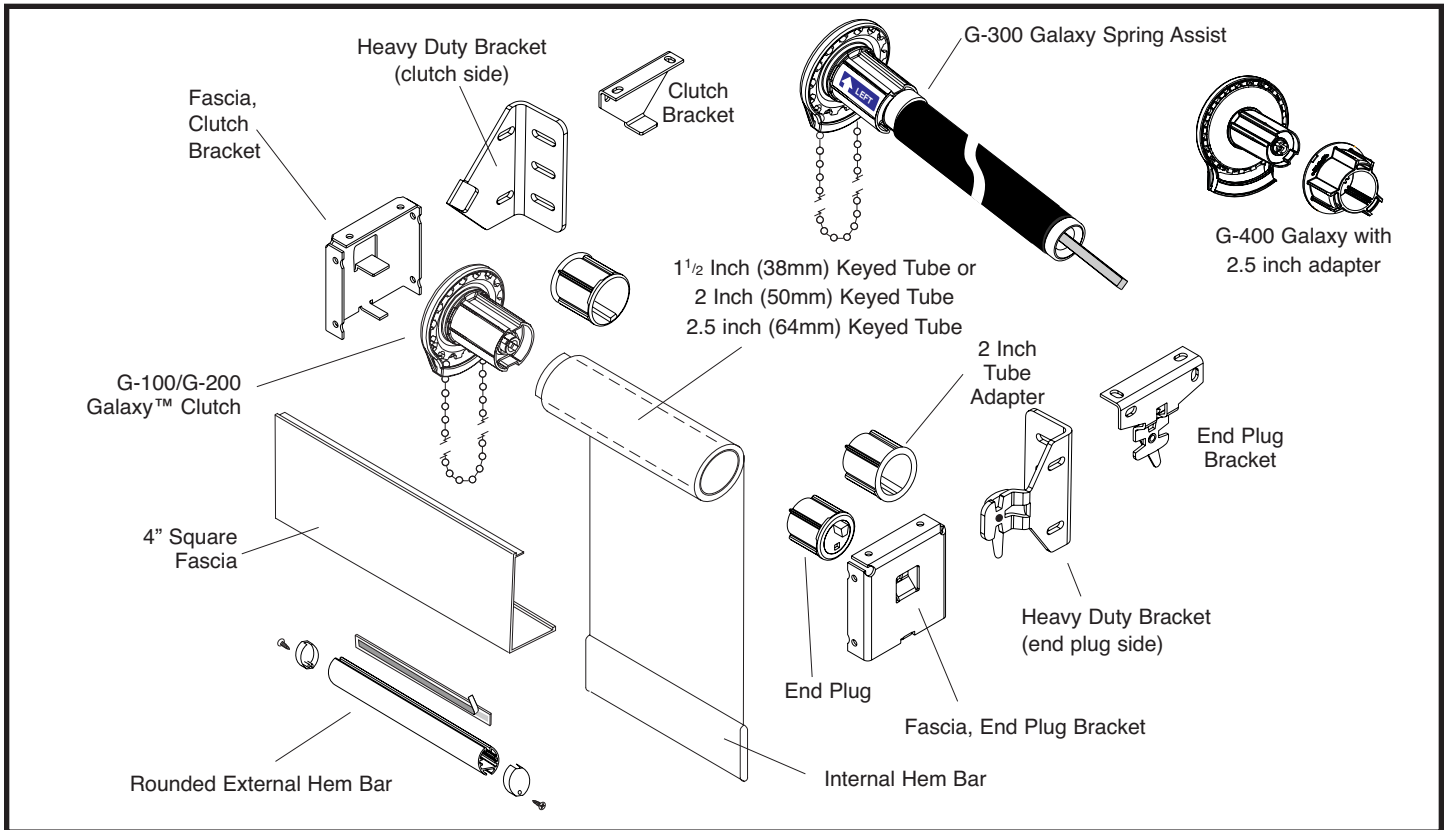
To be used with R3 & R-8 clutches. **Stock cords** are 2', 3', 4', 5', 6' (0.6m, 0.9m, 1.2m, 1.5m and 1.8m) in white and vanilla. **Non-stock** sizes are available in white and vanilla and in many other shades of pink, beige, blue, grey and green. Inquire for delivery times and complete part numbers.

TENSION DEVICE

Fabricators must ship a Tension Device attached to every finished shade. RollEase offers two patent-pending tension devices for cord loops or bead chain loops that comply with the WCMA-ANSI standard 6.5 requiring a tension device to make the shade partially inoperative unless the tension device is properly installed.

One tension device is designed for continuous cord or bead loops and another for bead chain which allows a stop ball and/or connectors to pass through. RollEase's tension device is available in White, Black, and Vanilla.

Galaxy Feature (for R-Series) Overview

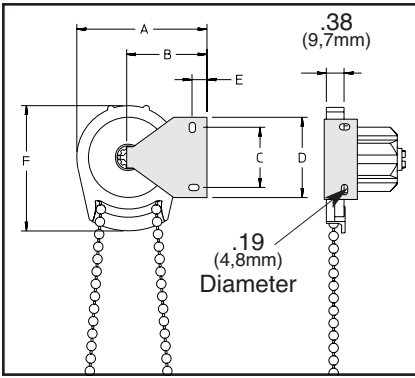


MAX WEIGHT	TUBE	MAX SHADE WIDTH*	CLUTCH PART NO.	TUBE PART NO.	END PLUG PART NO.	BRACKETS			
						1 1/2" (38mm) PROJECTION PART NO.	2" (50mm) PROJECTION PART NO.	2.25" (57MM) PROJ. HEAVY DUTY BRACKETS	4" FASCIA (102MM) BRACKETS
G200 24 lbs (10,8 kg) 20 lbs (9,0 kg)	1 1/2" (38mm) 2" * (50mm) <i>*Must use 2" (50mm) Adapters (RA2), 2 per shade</i>	132" (335cm) 168" (427cm)	RGAL(W/BK)WH RGAL(W/BK)WH	RTEA4T12 RTEA5U14	REP53(W/BK) REP53(W/BK)	RB560 RB560	RB580 RB580	RBGAL RBGAL	RB581 RB581
G300 30 lbs (13,5 kg) 30 lbs (13,5 kg)	1 1/2" (38mm) 2" (50mm) <i>*Must use 2" (50mm) Adapters (RA2), 2 per shade</i>	132" (335cm) 168" (427cm)	RGALSA(36/45)(R/L)(W/BK)-6 RGALSA(36/45)(R/L)(W/BK)-6 <i>+(1) RA2 Adapter</i>	RTEA4T12 RTEA5U14	REP53(W/BK) REP53(W/BK) <i>+(1) RA2 Adapter</i>	n/a n/a	n/a n/a	RBGAL RBGAL	RB581 RB581
G400 53 lbs (23,9 kg) 40 lbs (18 kg)	1 1/2" (38mm) 2"* (50mm)	132" (335cm) 168" (427cm)	RGAL400(W/BK) RGAL400(W/BK) <i>+(1) RA2 Adapter</i>	RTEA4T12 RTEA5U14	REP53(W/BK) REP53(W/BK) <i>+(1) RA2 Adapter</i>	<i>No RB-560 because of bracket weight limitation of 24 lbs (10,9 kg)</i>		RBGAL RBGAL	RB581 RB581
32 lbs (14,4 kg)	2 1/2"*** (64mm)	168" (427cm)	RGAL400(W/BK) <i>+(1) RGAL400A25 Adapter</i>	RTEA6U14	REP53(W/BK) <i>+(1) RGAL400A25 Adapter</i>	n/a	RB580	RBGAL	RB581

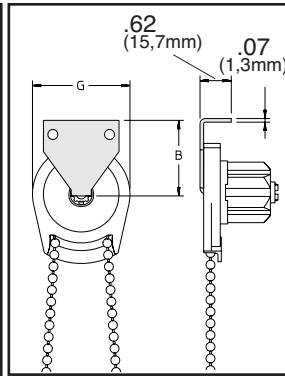
(* 2.0 Inch (50mm) tube: Must use 2" (50mm) Adapters (RA2), 2 per shade) (**2.5 inch tube: Must use 2.5" (63mm) Adapters; (Natural: RGAL400A25, Black: RGAL400ABK), 2 per shade)
 Note: G-400 is recommended with 2.5 inch (63mm) tube because of bead-chain run-through lengths. Maximum shade widths are given for light fabric and/or short shade drops. For more detail, consult the chart that specifies clutch and tube sizes.

TECHNICAL

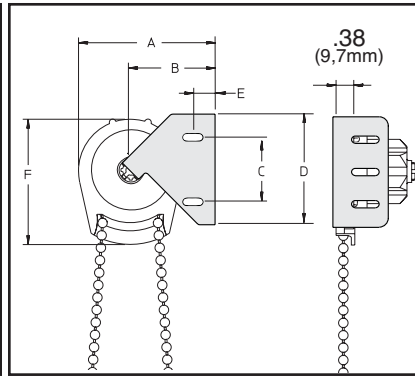
Galaxy Component Dimensions



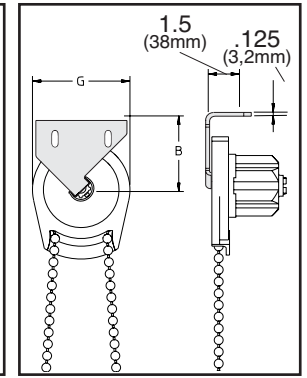
**560/580 BRACKET
WALL or INSIDE MOUNT**



560/580 BRACKET CEILING MOUNT



**RBGAL BRACKET
WALL or INSIDE MOUNT**

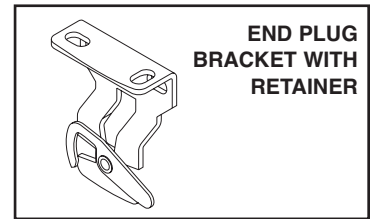
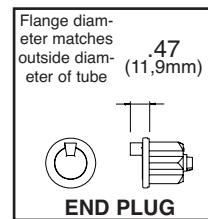


**RBGAL BRACKET
CEILING MOUNT**

Dimensions in inches/mm

INCHES

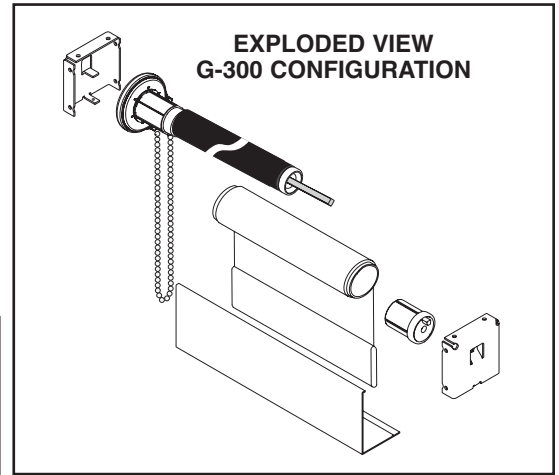
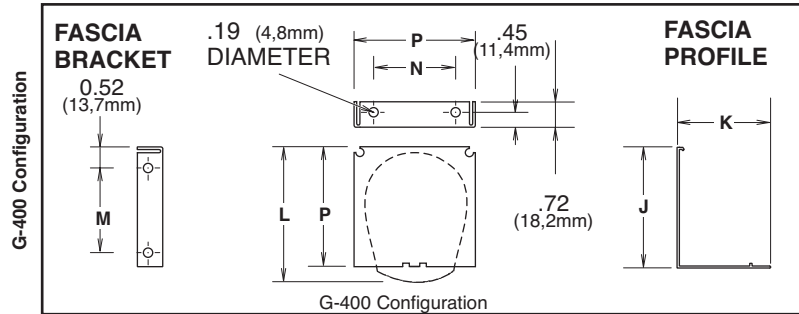
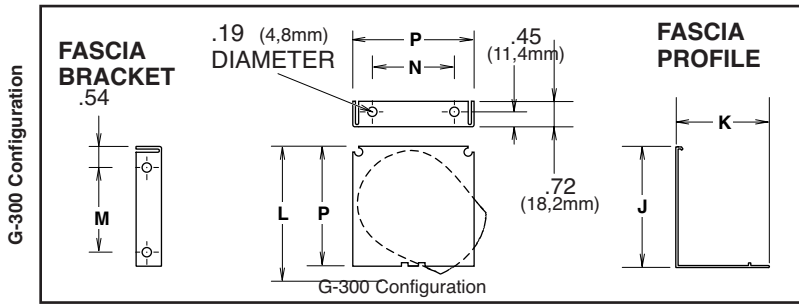
CLUTCH MODEL	BRACKET MODEL	A	B	C	D	E	F	G
G-100 and G-200	560	2.95	1.62	2.0	2.5	0.31	3.21	2.65
	580	3.45	2.12	2.0	2.5	0.31	3.21	2.65
G-400	RBGAL	3.56	2.25	1.75	3.0	0.60	3.21	2.65
	580	3.91	2.12	2.0	2.5	0.31	4.29	3.58
G-400	RBGAL	3.56	2.25	1.75	3.0	0.60	3.21	2.65



MILLIMETERS

CLUTCH MODEL	BRACKET MODEL	A	B	C	D	E	F	G
G-100 and G-200	560	75	41	50	63	8	82	67
	580	88	53.8	50	63	8	82	67
G-400	RBGAL	90	57	44	76	15	82	67
	580	99	54	50	63	18	100	91
G-400	RBGAL	90	57	44	76	15	82	67

Galaxy - Fascia System Dimension



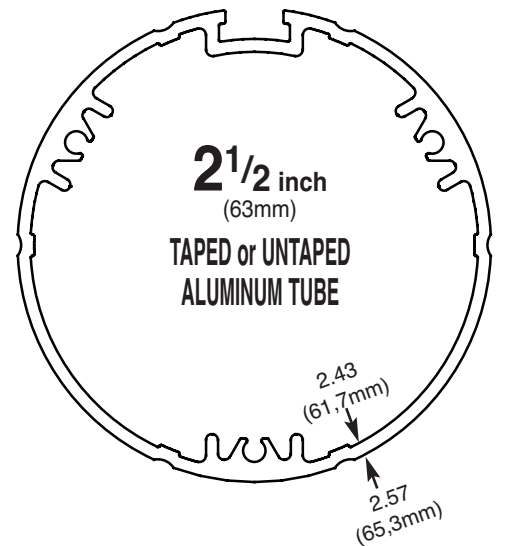
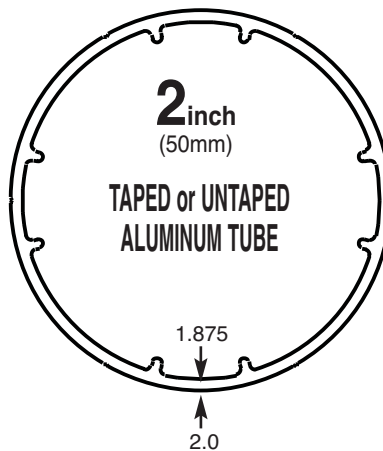
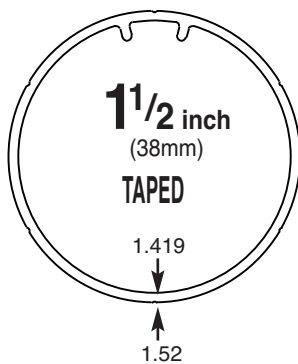
INCHES

CLUTCH MODEL	BRACKET MODEL	FASCIA HEIGHT	J	K	L	M	N	P
G-300	581	4 IN	4.06	2.78	n/a	3.08	2.93	4.00
G-400	581	4 IN	4.06	2.78	4.50	3.08	2.93	4.00

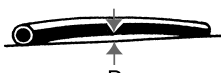
MILLIMETERS

CLUTCH MODEL	BRACKET MODEL	FASCIA HEIGHT	J	K	L	M	N	P
G-300	581	102	103	71	n/a	78	74	102
G-400	581	103	103	71	114	78	74	102

TUBE



TECHNICAL



Tube Tolerance Note: RollEase tube complies with Aluminum Industry Specification tube bow tolerances. This specification corresponds to the length of the tube, and is 0.010" (0.25mm) x Measured Length, Ft. Example: A tube measuring 12 ft. (4,7m) has a maximum deflection (D) of 0.12 inch (3mm) (0.010" x 12')