

Brackets & Covers (Projection in inches)

	<u>1.5" Projection</u>	<u>2 Inch</u>	<u>Heavy Duty</u>
R3/R8	RB360*	RB380*	n/a
R3/R8 Bkt Cover	RBPC360(BK,W)	RBPC380(BK,W)	n/a
R16	RB560*	RB580*	RBGAL
R24	n/a	RB580*	RGGAL

*Standard: nickel plated, also available: black (BK) & white (W)

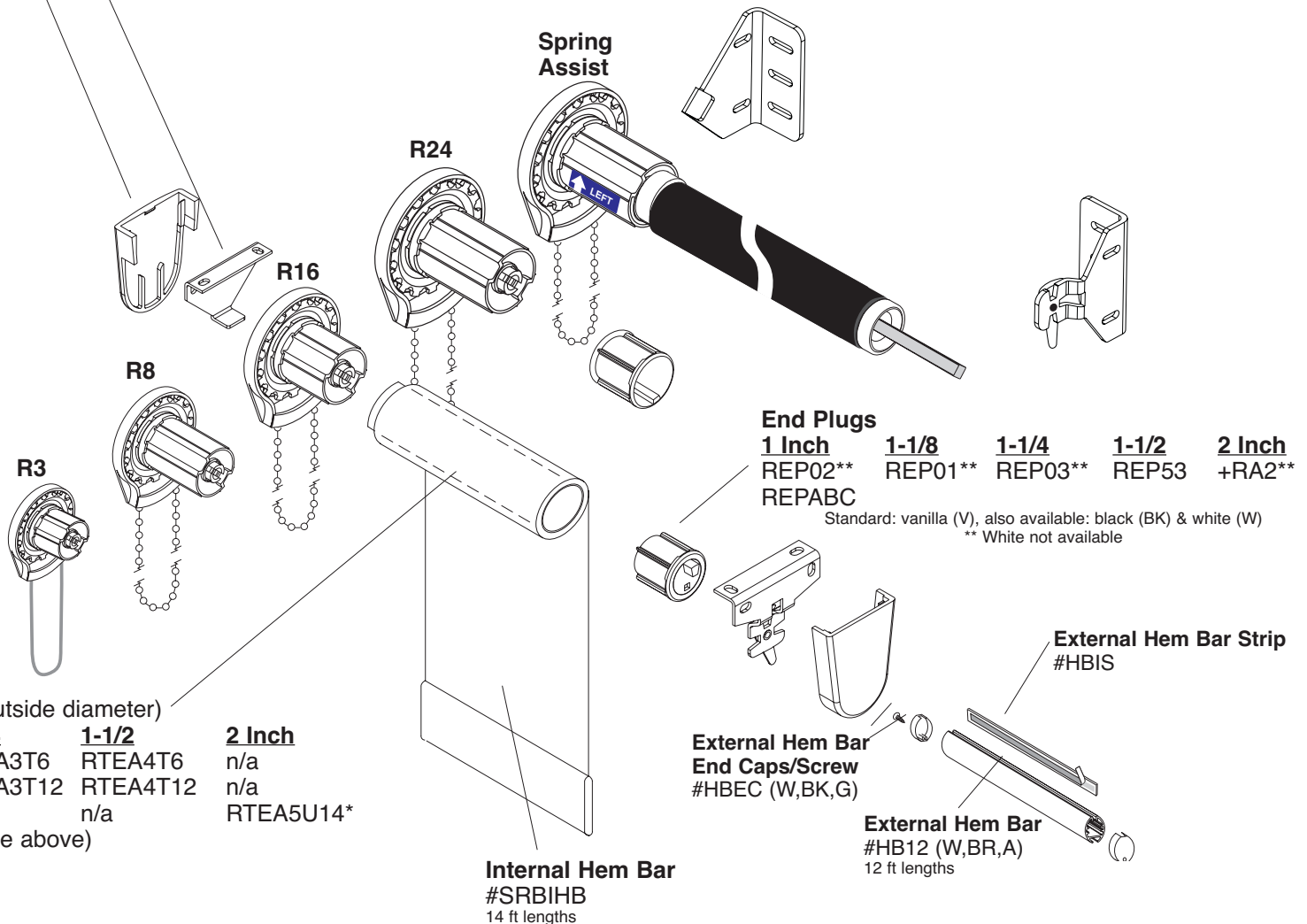
- #10 Bead Chain: #RBC5M
- Stop Balls: #RCMSB
- Bead Chain Pliers: #RBCPL2
- #10 Plastic Bead Chain: 100' roll: #RBC1(V,BK,G,W), 820' roll #RBC8(V,BK,G,W)
- Plastic Connectors: #RCP
- R3/R8 D-30 Control Cord: RDC__ (V,W)
- Control Cord Warning Tags: #CORDTAG
- Mounting Screws
- #6 x 3/4 inch Hex Head with Slot: #SC6750H500
- #6 x 5/8 Combination Phillips/Slot Head: #SC6625C500
- Fabric Shade Clips: # FSC
- Tension Devices (required) 100 quantity: #TD100ST, 1,000 quantity: #TD1000ST
- Color Codes: Vanilla (V), White (W), Bronze (BZ), Gray (G), Anodized (A), Black (BK)

Clutch Part Numbers

Tube:	<u>1" Tube</u>	<u>1-1/8"</u>	<u>1-1/4"</u>	<u>1-1/2"</u>	<u>2"</u>
R-3	R3C02*	R3C01*	n/a	n/a	n/a
R-3 (adjustable)	R3CABC	n/a	n/a	n/a	n/a
R-8	R8C02*	R8C01*	R8C03*	R8C14*	+RA2**
R-16	n/a	n/a	n/a	R16C53*	+RA2**
R-24	n/a	n/a	n/a	R24C53**	+RA2**
Spring Assist	n/a	n/a	n/a	SA24(R/L) (36/45)	+RA2**

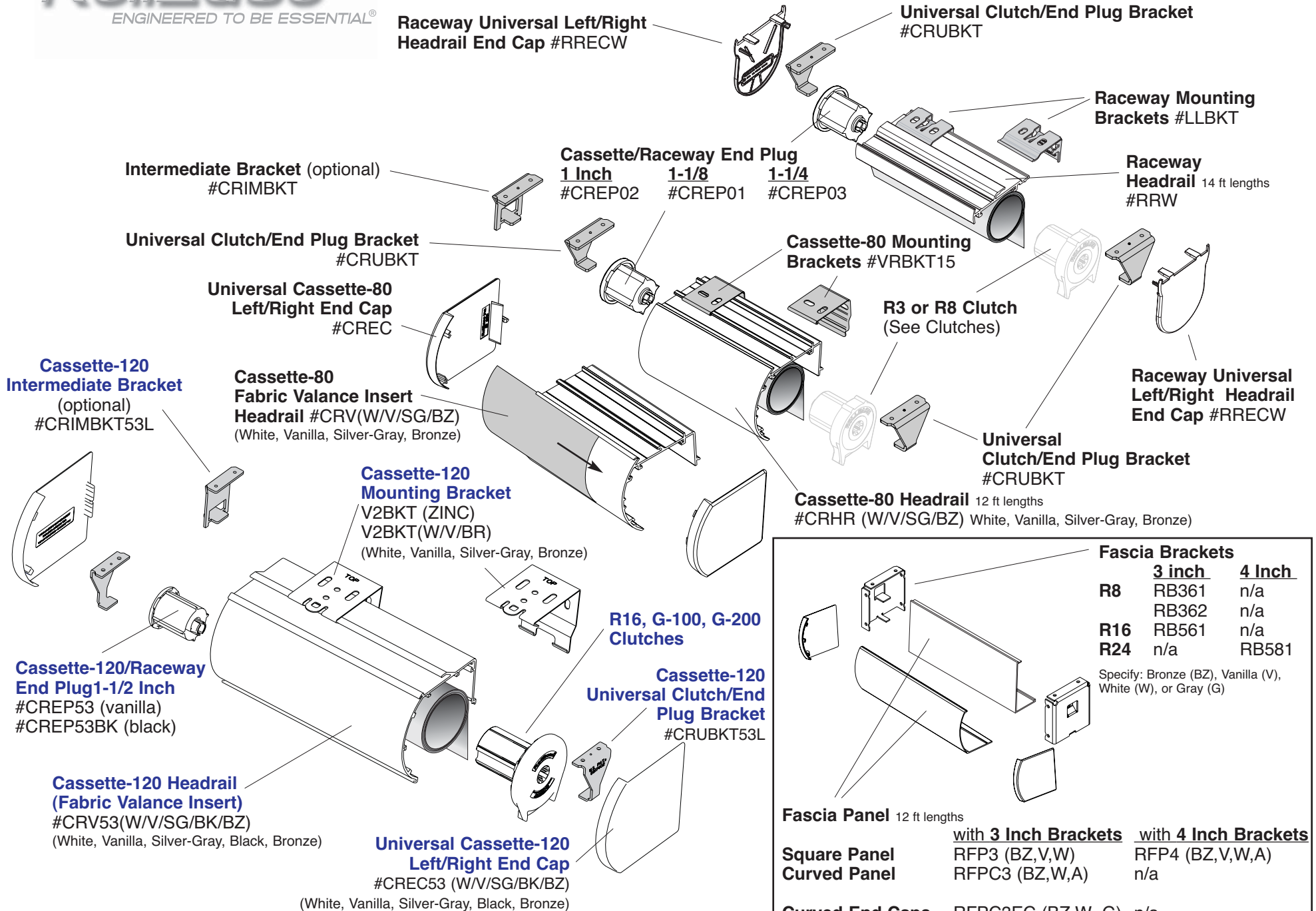
*Standard: vanilla (V), also available: black (BK) & white (W)

** White not available



	<u>Extruded Tube (outside diameter)</u>				<u>2 Inch</u>
	<u>1 Inch</u>	<u>1-1/8</u>	<u>1-1/4</u>	<u>1-1/2</u>	
6'	RTEA1T6	RTEA2T6	RTEA3T6	RTEA4T6	n/a
12'	RTEA1U12	RTEA2U12	RTEA3T12	RTEA4T12	n/a
14'	n/a	n/a	n/a	n/a	RTEA5U14*

*Tape: #TAPE36 (for taping 2 inch tube above)



Fascia Brackets			
	3 inch	4 inch	
R8	RB361	n/a	
	RB362	n/a	
R16	RB561	n/a	
R24	n/a	RB581	
Specify: Bronze (BZ), Vanilla (V), White (W), or Gray (G)			
Fascia Panel 12 ft lengths			
	with 3 Inch Brackets		with 4 Inch Brackets
Square Panel	RFP3 (BZ,V,W)	RFP4 (BZ,V,W,A)	
Curved Panel	RFPC3 (BZ,W,A)	n/a	
Curved End Caps	RFPC3EC (BZ,W ,G)	n/a	